



**Model Number**

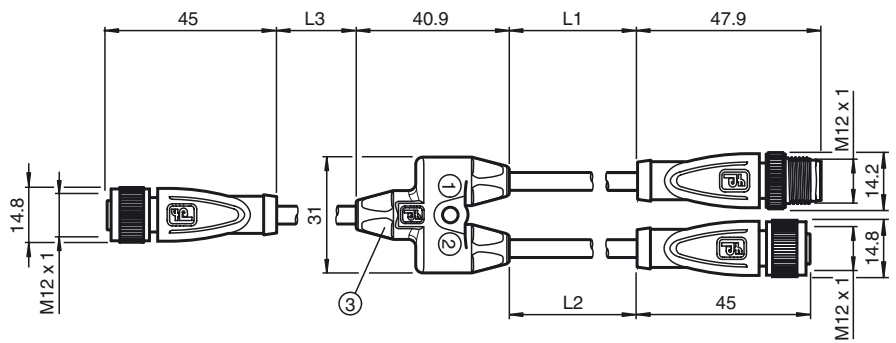
**V15S/V15-G-0,2-PUR-U-TEE-V15-G**

Y-splitter cordset, M12 to 2x M12, 5-pin, PUR cable

**Features**

- Simple assembling of 2 signals to one M12 plug-in station
- Suitable for drag chains
- Suitable for robotic applications / torsion resistant
- Degree of protection IP67
- Free from substances that impair paint wetting
- Resistant to microbes and hydrolysis
- UL Recognized Component
- Halogen-free
- Flame resistant cable
- Immunity to vibration, with mechanical latching

**Dimensions**



**Technical data**

**General specifications**

Number of pins	5
Connection 1	Male connector
Construction type 1	straight
Threading 1	M12
Connection 2	socket
Construction type 2	straight
Threading 2	M12
Connection 3	socket
Construction type 3	straight
Threading 3	M12
UL File Number	E231213

**Electrical specifications**

Operating voltage	U <sub>B</sub>	48 V AC 60 V DC
Operating current	I <sub>B</sub>	max. 4 A

**Ambient conditions**

Ambient temperature	Body: -40 ... 90 °C (-40 ... 194 °F) cable, fixed: -40 ... 80 °C (-40 ... 176 °F) cable, flexing: -25 ... 80 °C (-13 ... 176 °F)
Pollution degree	3

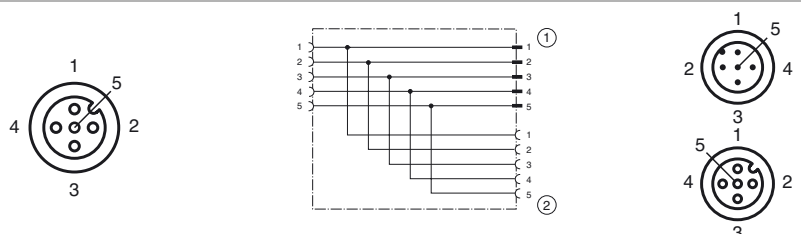
**Mechanical specifications**

Contact elements	spring-loaded contact socket
Degree of protection	IP67
Connection	1 x M12 straight socket to 1 x M12 straight plug / 1 x M12 straight socket

**Material**

Contacts	CuSn / Au
Contact surface	Au
Body	TPU, black
Cable	PUR
Slotted nut	Diecast zinc
Sleeve connector	Diecast zinc
Core insulation	PP
Cable	according to IEC/EN 60228 (DIN VDE 0295) class 6
Sheath diameter	Ø 4.8 mm
Bending radius	> 10 x cable diameter, appropriate for conveyor chains > 5 x cable diameter, fixed
Color	black
Number of cores	5
Core cross-section	0.34 mm <sup>2</sup> , 22 AWG
Conductor construction	42 x 0.1 mm Ø

**Electrical connection**



Release date: 2019-10-01 13:12 Date of issue: 2019-10-01 70109000\_eng.xml

Refer to "General Notes Relating to Pepperl+Fuchs Product Information".

Length	L	L1 = 200 mm L2 = 200 mm L3 = 200 mm
Drag chain suitability		
Drag chain cycles		≥ 5000000
Motion velocity		≤ 3.3 m/s
Traverse distance		5 m horizontal
Acceleration		≤ 5 m/s <sup>2</sup>
Torsion cycles		≥ 1000000
Torsional stress		± 180 °/m
Flammability		
Contact carrier		HB
Housing		V-2
Cable		FT2

**Compliance with standards and directives**

Standard conformity		
Degree of protection		EN 60529
Flammability		Grip: UL 94 Cable: UL 758 / UL 1581
Halogen-free		IEC 60754-1
Specification		connector M12 x 1 : IEC 61076-2-101

**Approvals and certificates**

UL approval		UL Recognized General purpose
-------------	--	-------------------------------

**Accessories**

**MH V1-SCREWDRIVER**  
torque screwdriver (0.6 Nm)

**MH V1-BIT M12**  
plug-in cap M12

**V1/V3-LABELHOLDER**  
Label holder

**V1/V3-LABEL**  
Label plate

**MH V1-Holder**  
Modular universal holder for M12 connectors

**V1-MARKING-RING-BLUE**  
Marking ring for M12 plug

**V1-MARKING-RING-GREEN**  
Marking ring for M12 plug

**V1-MARKING-RING-ORANGE**  
Marking ring for M12 plug

**V1-MARKING-RING-RED**  
Marking ring for M12 plug

**V1-MARKING-RING-WHITE**  
Marking ring for M12 plug

**V1-MARKING-RING-YELLOW**  
Marking ring for M12 plug