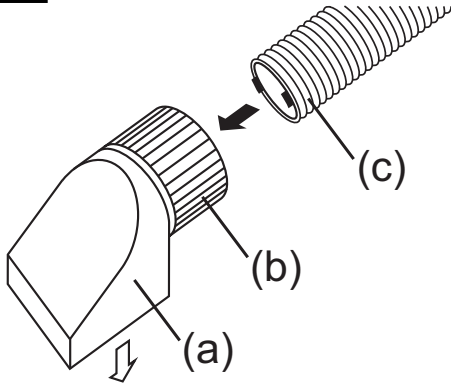


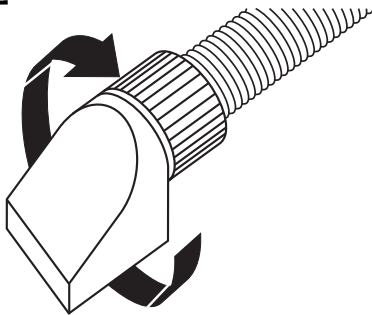
Installation Instructions 90° attachment OG

1



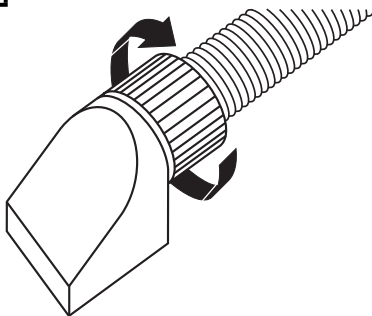
► Put attachment (a) onto the sensor (c).

2



► Turn until it clicks into place.

3



► Hand-tighten the fastening nut (b). (Do not use pliers for mounting)