



Model Number

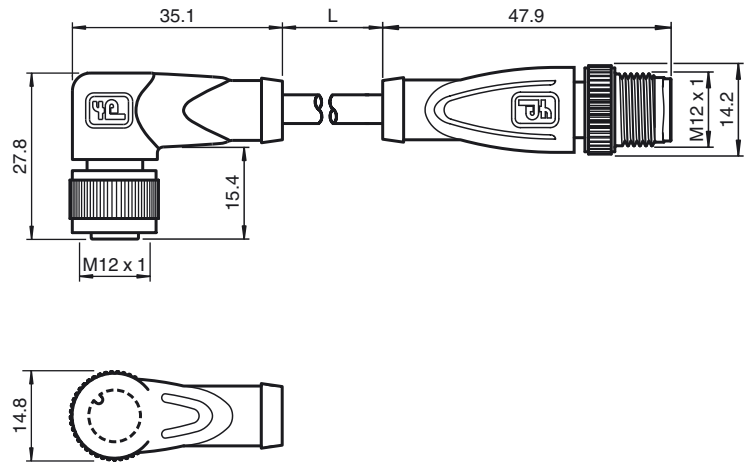
V1-W-E8-OR0,6M-PUR-A-V1-G

Cordset, M12 to M12, PUR cable, 4-pin, welding-bead resistant

Features

- Built-in LED, as operating and function indicator
- Immunity to vibration, with mechanical latching
- Knurled nut suitable for tool assembly
- Halogen-free
- Suitable for drag chains
- Flame resistant cable
- Suitable for robotic applications / torsion resistant
- Gold plated contacts
- Improved resistance to weld slag

Dimensions



Technical data

General specifications

Number of pins	4
Connection 1	socket
Construction type 1	right angle
Threading 1	M12
Connection 2	Male connector
Construction type 2	straight
Threading 2	M12

Indicators/operating means

LED green	Operating display
LED yellow	Functional display Normally closed/normally open pin 4
LED red	Functional display Normally closed/normally open pin 2

Electrical specifications

Operating voltage	U_B	max. 24 V DC \pm 15%
Operating current	I_B	max. 4 A

Ambient conditions

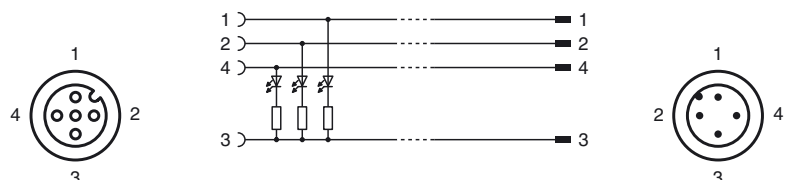
Ambient temperature	Body: -40 ... 90 °C (-40 ... 194 °F) cable, fixed: -40 ... 80 °C (-40 ... 176 °F) cable, flexing: -25 ... 80 °C (-13 ... 176 °F)
---------------------	--

Pollution degree	3
------------------	---

Mechanical specifications

Contact elements	spring-loaded contact socket
Pin diameter	1 mm
Degree of protection	IP67
Cable code	LiF9Y11Y 4 x 0.34 mm ²
Material	
Contacts	CuSn / Au
Contact surface	Au
Body	TPU, transparent/black
Cable	PUR resistant to weld spatter
Slotted nut	Diecast zinc
Sleeve connector	Diecast zinc
Core insulation	PP
Cable	extra-fine wire, flexible
Sheath diameter	\varnothing 4.3 mm
Bending radius	> 10 x cable diameter, moving > 5 x cable diameter, single bend
Color	orange
Number of cores	4
Core cross-section	0.34 mm ²
Conductor construction	42 x 0.1 mm \varnothing
Length	L 0.6 m
Drag chain suitability	
Drag chain cycles	\geq 5000000

Electrical connection



Release date: 2019-05-15 15:54 Date of issue: 2019-05-15 240784-100019_eng.xml

Motion velocity	≤ 3.3 m/s
Traverse distance	5 m
Acceleration	≤ 5 m/s ²
Torsion cycles	≥ 1000000
Torsional stress	±180 °/m
Flammability	
Contact carrier	94 HB
Housing	94 V-2
Cable	FT2
Compliance with standards and directives	
Standard conformity	
Degree of protection	EN 60529:2000
Standards	IEC 61076-2-101:2008
Flammability	Body: UL 94 Line: UL 1581 Section 1061; IEC 60332-1-2:2004
Halogen-free	IEC 60754-1:1994
Approvals and certificates	
UL approval	cURus AWM 20549 AWM I/II A/B 80°C 300V FT2

Accessories

MH V1-SCREWDRIVER
torque screwdriver (0.6 Nm)

MH V1-BIT M12
plug-in cap M12

V1/V3-LABELHOLDER
Label holder

V1/V3-LABEL
Label plate

MH V1-Holder
Modular universal holder for M12 connectors

V1-CLIP
Unlocking protector for M12 connector

V1-MARKING-RING-BLUE
Marking ring for M12 plug

V1-MARKING-RING-GREEN
Marking ring for M12 plug

V1-MARKING-RING-ORANGE
Marking ring for M12 plug

V1-MARKING-RING-RED
Marking ring for M12 plug

V1-MARKING-RING-WHITE
Marking ring for M12 plug

V1-MARKING-RING-YELLOW
Marking ring for M12 plug

Release date: 2019-05-15 15:54 Date of issue: 2019-05-15 240784-100019_eng.xml