



### Model Number

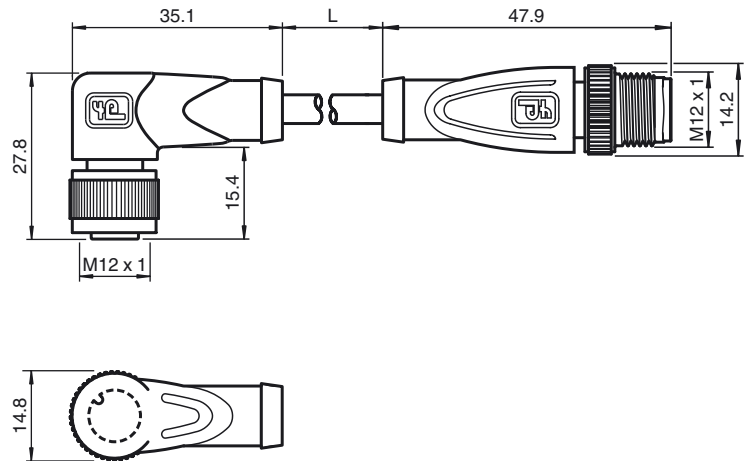
#### V1-W-E2-OR1M-POC-V1-G

Cordset M12 socket to M12 plug A-coded, LED 3-pin, TPE cable welding-bead resistant orange

### Features

- Built-in LED, as operating and function indicator
- Resistant to welding bead formation
- Suitable for robotic applications / torsion resistant
- Does not give off silicone
- Ozone resistant
- Hydrolysis resistant
- Halogen-free
- Knurled nut suitable for tool assembly
- Immunity to vibration, with mechanical latching
- Gold plated contacts
- Degree of protection IP67 / IP68 / IP69

### Dimensions



### Technical data

#### General specifications

|                     |                |
|---------------------|----------------|
| Number of pins      | 3              |
| Connection 1        | socket         |
| Construction type 1 | right angle    |
| Threading 1         | M12            |
| Coding 1            | A-coded        |
| Connection 2        | Male connector |
| Construction type 2 | straight       |
| Threading 2         | M12            |
| Coding 2            | A-coded        |

#### Indicators/operating means

|            |                       |
|------------|-----------------------|
| LED green  | Operating display     |
| LED yellow | Functional display NO |

#### Electrical specifications

|                   |       |                        |
|-------------------|-------|------------------------|
| Operating voltage | $U_B$ | max. 24 V DC $\pm$ 15% |
| Operating current | $I_B$ | max. 4 A               |

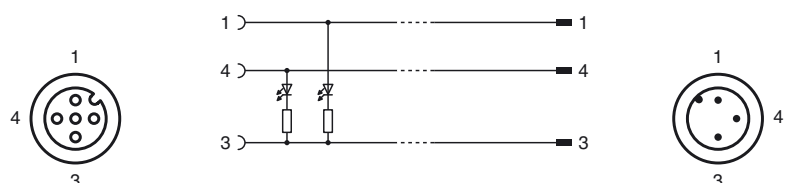
#### Ambient conditions

|                     |  |
|---------------------|--|
| Ambient temperature | Body: -40 ... 90 °C (-40 ... 194 °F)<br>Cable, flexing:<br>-15 ... 120 °C (5 ... 248 °F) for 20000 h<br>-15 ... 150 °C (5 ... 302 °F) for 3000 h<br>cable, fixed:<br>-40 ... 120 °C (-40 ... 248 °F) for 20000 h<br>-40 ... 150 °C (-40 ... 302 °F) for 3000 h |
| Pollution degree    | 3  |

#### Mechanical specifications

|                      |   |
|----------------------|---|
| Contact elements     | spring-loaded contact socket                                  |
| Degree of protection | IP67 / IP68 / IP69  |
| Cable code           | Li 7Y-41X 4 x 0.34  |
| Material             |   |
| Contacts             | CuZn  |
| Contact surface      | Au  |
| Body                 | TPU, transparent<br>TPU, black                                |
| Cable                | TPE resistant to welding bead formation                       |
| Slotted nut          | Diecast zinc  |
| Sleeve connector     | Diecast zinc  |
| Core insulation      | ETFE  |
| Cable                | according to IEC/EN 60228 (DIN VDE 0295) class 5              |
| Sheath diameter      | 4.8 mm  |
| Bending radius       | > 10 x cable diameter, moving<br>> 10 x cable diameter, fixed |
| Color                | orange  |
| Number of cores      | 3   |
| Core cross-section   | 0.34 mm <sup>2</sup>  |

### Electrical connection



|   |  |
|---|--|
| Cores color                                     | Core 1: brown<br>Core 3: blue<br>Core 4: black                 |
| Conductor construction                          | 19 x 0.16 mm Ø   |
| Length  | L 1 m  |
| Flammability                                    |  |
| Contact carrier                                 | HB   |
| Housing   | V-2  |
| Cable   | flame-resistant  |
| <b>Compliance with standards and directives</b> |  |
| Standard conformity                             |  |
| Degree of protection                            | EN 60529   |
| Flammability                                    | IEC 60332-1-2<br>Flame-retardant as per ISO 14572 and ISO 6722 |
| Halogen-free                                    | IEC 60754-2  |
| Specification                                   | connector M12 x 1 : IEC 61076-2-101                            |

Release date: 2020-03-04 13:43 Date of issue: 2020-03-04 293710\_eng.xml

Refer to "General Notes Relating to Pepperl+Fuchs Product Information".