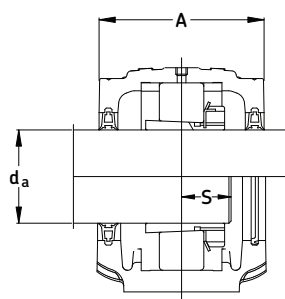
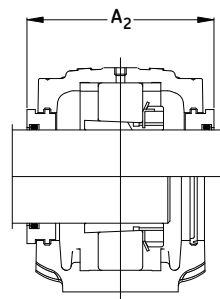


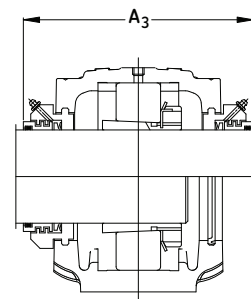
**Series SNL 500 and SNL 600
Pillow Blocks of cast iron for
bearing with adapter sleeve,
grease or oil lubrication
 d_a $\frac{3}{4}$ - $\frac{15}{16}$ in (20 - 25 mm)**



Double-lip seals
G & L design



Labyrinth seals
S design

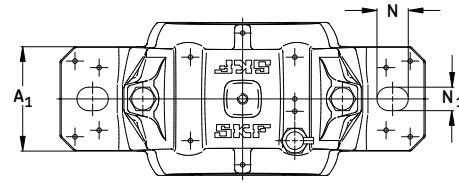
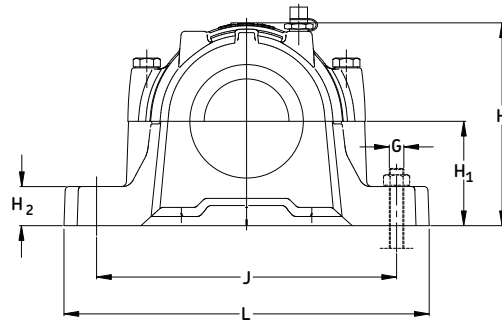


Taconite seals
ND design

Shaft Dia. d_a	Complete Pillow Block Assembly	Housing	Standard Seal Package	Bearing	Adapter Sleeve	Fixing Rings	Mass Complete Qty.	End Cover		
								lb.	kg.	
$\frac{3}{4}$	SNL 1505/ $\frac{3}{4}$ TGE	SNL 505	TSN 505GE	1205 EK	HE 205	FRB 5/52	2	3.66	1.66	ASNH 505
	SNL 1605/ $\frac{3}{4}$ TGE	SNL 506-605	TSN 605GE	1305 EK	HE 305	FRB 7.5/62	2	5.14	2.33	ASNH 506-605
	SNL 2505/ $\frac{3}{4}$ TGE	SNL 505	TSN 505GE	2205 EK	HE 305	FRB 3.5/52	2	3.70	1.68	ASNH 505
	SNL 2605/ $\frac{3}{4}$ TGE	SNL 506-605	TSN 605GE	2305 EK	HE 2305	FRB 4/62	2	5.31	2.41	ASNH 506-605
	SNL 22505/ $\frac{3}{4}$ TGE	SNL 505	TSN 505GE	22205 EK	HE 305	FRB 3.5/52	2	3.75	1.70	ASNH 505
	SNL C2505/ $\frac{3}{4}$ TGE	SNL 505	TSN 505GE	C2205 K*	HE 305E	FRB 3.5/52	2	3.75	1.70	ASNH 505
20	SNL 1505/20 TL	SNL 505	TSN 505L	1205 EK	H 205	FRB 5/52	2	3.66	1.66	ASNH 505
	SNL 1605/20 TG	SNL 506-605	TSN 605G	1305 EK	H 305	FRB 7.5/62	2	5.14	2.33	ASNH 506-605
	SNL 2505/20 TL	SNL 505	TSN 505L	2205 EK	H 305	FRB 3.5/52	2	3.70	1.68	ASNH 505
	SNL 2605/20 TG	SNL 506-605	TSN 605G	2305 EK	H 2305	FRB 7.5/62	2	5.31	2.41	ASNH 506-605
	SNL 22505/20 TL	SNL 505	TSN 505L	22205 EK	H 305	FRB 3.5/52	2	3.75	1.70	ASNH 505
	SNL C2505/20 TL	SNL 505	TSN 505L	C2205 K*	H 305E	FRB 3.5/52	2	3.75	1.70	ASNH 505
$\frac{15}{16}$	SNL 1506/ $\frac{15}{16}$ TGA	SNL 506-605	TSN 506GA	1206 EK	HA 206	FRB 8/62	2	5.11	2.32	ASNH 506-605
	SNL 1606/ $\frac{15}{16}$ TGA	SNL 507-606	TSN 606GA	1306 EK	HA 306	FRB 7.5/72	2	5.80	2.63	ASNH 507-606
	SNL 2506/ $\frac{15}{16}$ TGA	SNL 506-605	TSN 506GA	2206 EK	HA 306	FRB 6/62	2	5.20	2.36	ASNH 506-605
	SNL 2606/ $\frac{15}{16}$ TGA	SNL 507-606	TSN 606GA	2306 EK	HA 2306	FRB 3.5/72	2	6.04	2.74	ASNH 507-606
	SNL 22506/ $\frac{15}{16}$ TGA	SNL 506-605	TSN 506GA	22206 EK	HA 306	FRB 6/62	2	5.25	2.38	ASNH 506-605
	SNL C2506/ $\frac{15}{16}$ TGA	SNL 506-605	TSN 506GA	C2206 K*	HA 306E	FRB 6/62	2	5.25	2.38	ASNH 506-605
25	SNL 1506/25 TL	SNL 506-605	TSN 506L	1206 EK	H 206	FRB 8/62	2	5.11	2.32	ASNH 506-605
	SNL 1606/25 TG	SNL 507-606	TSN 606G	1306 EK	H 306	FRB 7.5/72	2	5.80	2.63	ASNH 507-606
	SNL 2506/25 TL	SNL 506-605	TSN 506L	2206 EK	H 306	FRB 6/62	2	5.20	2.36	ASNH 506-605
	SNL 2606/25 TG	SNL 507-606	TSN 606G	2306 EK	H 2306	FRB 3.5/72	2	6.28	2.82	ASNH 507-606
	SNL 22506/25 TL	SNL 506-605	TSN 506L	22206 EK	H 306	FRB 6/62	2	5.25	2.38	ASNH 506-605
	SNL C2506/25 TL	SNL 506-605	TSN 506L	C2206 K*	H 306E	FRB 6/62	2	5.25	2.38	ASNH 506-605

* Must always be located.

Pillow block housing series SNL



Housing No.	Dimensions													Bolts (2 req'd)	
	A	A ₁	A ₂	A ₃	H	H ₁	H ₂	J _{max}	J _{min}	J	L	N	N ₁	G	S*
	in/mm														
SNL 505	2 5/8	1 13/16	3 3/16	5 1/8	2 15/16	1.575	3/4	5 3/8	4 7/8	5 1/8	6 1/2	3/4	5/8	1/2	*
	67	46	80	130	74	40	19	137	123	130	165	20	15	12	*
SNL 506-605	3 1/16	2 1/16	3 1/2	5 5/16	3 1/2	1.969	7/8	6 1/8	5 11/16	5 15/16	7 5/16	3/4	5/8	1/2	*
	77	52	89	135	89	50	22	157	143	150	185	20	15	12	*
SNL 507-606	3 1/4	2 1/16	3 3/4	5 1/2	3 5/8	1.969	7/8	6 1/8	5 11/16	5 15/16	7 5/16	3/4	5/8	1/2	*
	82	52	94	140	93	50	22	157	143	150	185	20	15	12	*

***NOTE:** Dimension "S" indicates the shaft length from the centre of the bearing to the end of the shaft for housings with one end closed. For tabulation of the dimension "S", see the bearing tables on pages 52 and 53.

For an example on how to order, please see page 57