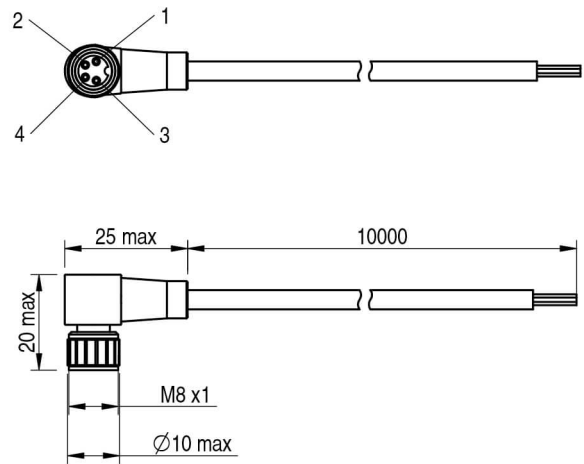


CD



Indicative image



Electrical data

| | |
|-----------------------|-----------------|
| Nominal current | 4 A |
| Led | no |
| Wires | 4 |
| Rated impulse voltage | 1,5 kV |
| Nominal voltage | Max. 60 V ac/dc |

Mechanical data

| | |
|-----------------------|---|
| Connections | With open ended wires |
| Tightening torque | 0,4 Nm |
| Operating temperature | -5°C...+80°C (flexible installation) -30°C...+80°C (fixed installation) |
| 1 | 10 |
| Head type | 90° |
| Plug | M8 |
| Outer diameter | Ø 4,7 mm ± 0,2mm |
| Jacket material | PUR |
| Wire isolation | PVC |
| Conductors section | 0,25 mm ² (32 x 0,10 mm ²) |

Model

Femmina

Test/Approvals

Degree of protection

IP67

General Data

Operating Temperature

-5°C...+80°C (flexible installation) -30°C...+80°C (fixed installation)

Mechanical Protection

IP67

ELECTRICAL DIAGRAMS OF THE CONNECTIONS

BN/1

WH/2

BU/3

BK/4

Datasensing S.r.l.

Strada S.Caterina, 235
41122 Modena (MO)
Tel. 059 420411
Fax 059 253973
E-mail info@datasensing.com

date of printing

29/04/2022 12:38:28