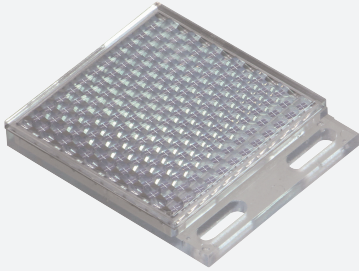


Reflector

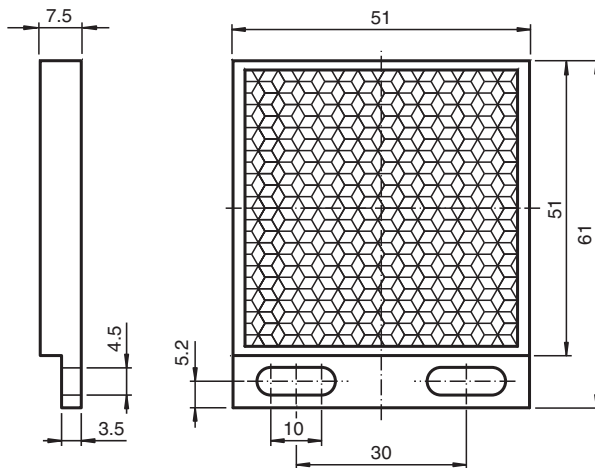
REF-H50x60HT



- Mounting holes for simple installation
- High-temperature applications
- Deep-freeze applications

Reflector, rectangular, 51 mm x 61 mm, mounting holes, retaining tab, high-temperature application and deep-freeze application

Dimensions



Technical Data

General specifications	
Construction type	rectangular
Ambient conditions	
Ambient temperature	-20 ... 99 °C (-4 ... 210.2 °F)
Mechanical specifications	
Material	PC
Dimensions	51 mm x 61 mm x 7.5 mm
Mounting	mounting holes

Release date: 2020-03-24 Date of issue: 2020-06-30 Filename: 264217_eng.pdf

Refer to "General Notes Relating to Pepperl+Fuchs Product Information".

Pepperl+Fuchs Group
www.pepperl-fuchs.com

USA: +1 330 486 0001
fa-info@us.pepperl-fuchs.com

Germany: +49 621 776 1111
fa-info@de.pepperl-fuchs.com

Singapore: +65 6779 9091
fa-info@sg.pepperl-fuchs.com

PF PEPPERL+FUCHS

Note

The reflector is suitable for use in deep-freeze applications. The temperature range must not fall below -35 °C and must not exceed 85 °C.

When using a reflector at temperatures below -20 °C, it must be ensured that the device is mounted at room temperature (25 °C), as stress cracks may appear during mounting that can affect the mechanical strength.