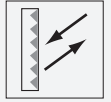


Reflector

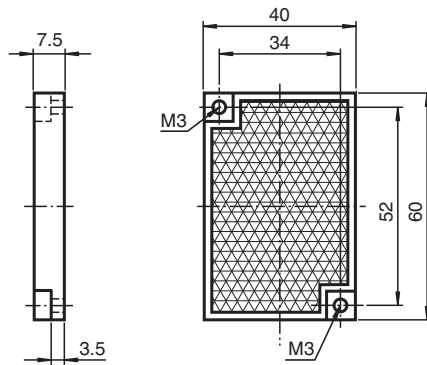
REF-A60AF



- Self-adhesive mounting
- Anti-fog coating

Reflector, rectangular 40 mm x 60 mm, mounting holes, self-adhesive

Dimensions



Technical Data

General specifications	
Construction type	rectangular
Ambient conditions	
Ambient temperature	-30 ... 65 °C (-22 ... 149 °F)
Mechanical specifications	
Material	PMMA/ABS
Dimensions	60 mm x 40 mm x 7.5 mm
Mounting	self-adhesive and mounting hole

Release date: 2020-03-24 Date of issue: 2020-06-30 Filename: 255395_eng.pdf

Refer to "General Notes Relating to Pepperl+Fuchs Product Information".

Pepperl+Fuchs Group
www.pepperl-fuchs.com

USA: +1 330 486 0001
fa-info@us.pepperl-fuchs.com

Germany: +49 621 776 1111
fa-info@de.pepperl-fuchs.com

Singapore: +65 6779 9091
fa-info@sg.pepperl-fuchs.com

PF PEPPERL+FUCHS

Mounting and Storage Conditions

Make sure that the surface of the carrier is clean, dry, and free of any grease, oil, dust, solvents, and any other separating agents. Under the usual storage conditions with an ambient climate of 50% relative humidity and at approx. 20 °C, the storage life of the adhesive tapes is 12 months in their original packaging. Neither the products nor the packaging should be exposed to direct sunlight.