

72. SEG Autoadapt

50 Hz

Lid for electronic unit

Pos.	Description	Type Kit No	Standard 1-ph.	Ex 1-ph.	Standard 3-ph.	Ex 3-ph.
			0.9 - 1.5 kW	0.9 - 1.5 kW	0.9 - 4.0 kW	0.9 - 4.0 kW
			96898085	96984145	96898086	96984146
16	O-ring	34.2 x 3.0	1	1	1	1
26a	O-ring	32.0 x 4.0	1	1	1	1
90a	Lid with electronic unit		1	1	1	1
90b	O-ring	180.0 x 4.0	1	1	1	1
287b	O-ring	20.2 x 3.0	1	1	1	1
287c	Set screw		1	1	1	1
-	Splice connector		4	4	3	3
-	Cable clip		1	1	1	1
-	Protection sleeve		1	1	1	1
-	Absorbent bag		2	2	2	2

Impeller

Pos.	Description/Kit No	SEG.40					SEG.50			
		0.9 kW	1.2 kW	1.5 kW	2.6 kW	3.0 kW	4.0 kW	2.6 kW	3.0 kW	4.0 kW
		96076115	96076116	96076117	96076118	96076119	96076120	99346032	99346046	99346048
9a	Key	1	1	1	1	1	1	1	1	1
49	Impeller	1	1	1	1	1	1	1	1	1
66	Lock washer	1	1	1	1	1	1	1	1	1
68	Adjustment nut	1	1	1	1	1	1	1	1	1
188a	Screw	1	1	1	1	1	1	1	1	1

O-ring (Zuino is checking these)

Pos.	Description	Type Rubber type Kit No	0.9 - 1.5 kW		2.6 - 4.0 kW	
			NBR	FKM	NBR	FKM
			96076124	96646061	96076125	96646062
16	O-ring	34.2 x 3.0	1	1	1	1 <i>marked with pos. 198</i>
26a	O-ring	32.0 x 4.0	1 <i>ok</i>	- <i>missing!</i>	1	1
37	O-ring	164.5 x 3.0	1	1	-	-
		204.0 x 3.0	-	-	1	1
37a	O-ring	114.0 x 3.0	2	2	-	-
		114.3 x 5.7	-	-	2	2
90b	O-ring	180.0 x 4.0	- <i>missing!</i>	1 <i>Ok</i>	- <i>missing!</i>	1 <i>ok</i>
102	O-ring	16.0 x 1.5	1	1	-	-
		17.3 x 2.4	-	-	1	1
107	O-ring	47.0 x 3.0	1	1	-	-
		90.0 x 4.0	-	-	1	1
108	O-ring	50.0 x 3.0	1	1	1	1
153a	O-ring					-
153b	O-ring	28.0 x 2.0	1	1	1	1
		32.0 x 2.0	1	1	-	-
159	O-ring	37.0 x 2.0	1	1	-	-
		52.0 x 3.0	-	-	1	1
185	O-ring	31.0 x 2.0	1 <i>ok</i>	- <i>missing!</i>	1 <i>ok</i>	- <i>missing!</i>
194	Seal washer		2	2	2	2
198	Bush for shaft seal		1 <i>OK missing pos.no</i>	1 <i>OK missing pos.no</i>	-	-

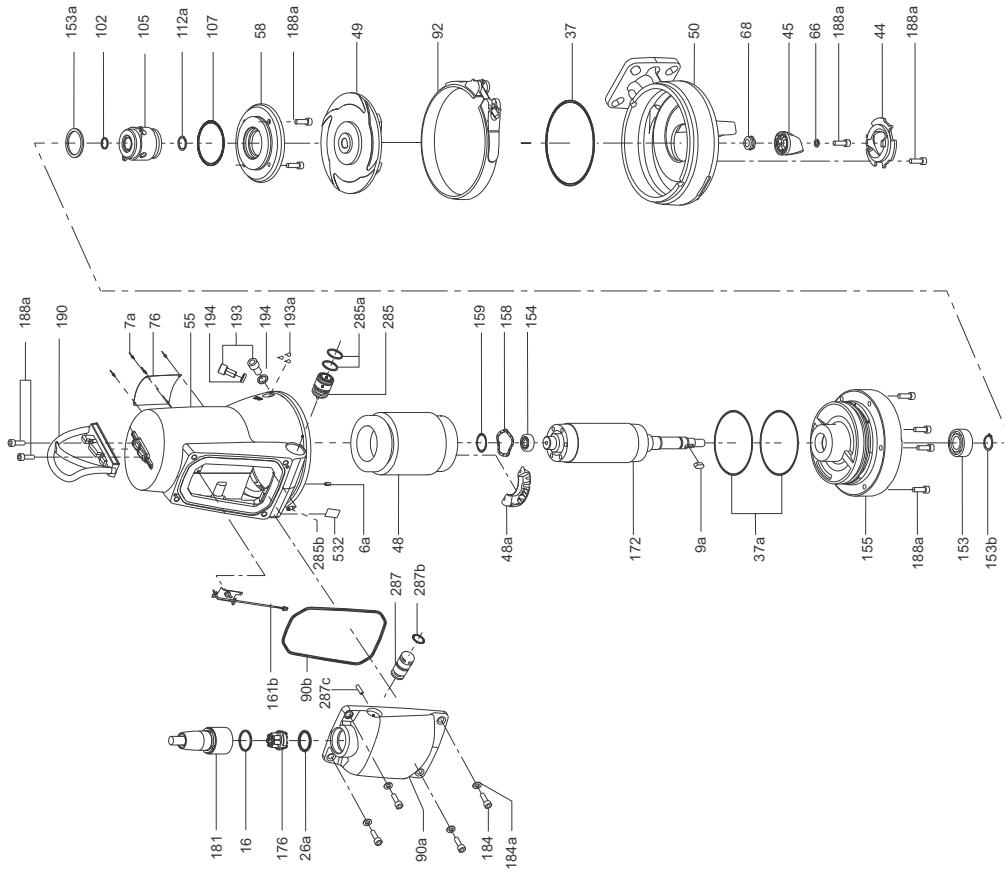
Sphere for hook-up

Pos.	Description	Type Rubber type Kit No	DN 40/Rp 1 1/2		DN 50/Rp 2	
			NBR	FKM	NBR	FKM
			96592033	96657776	96592034	96657778
-	Sphere for hook-up		1	1	1	1

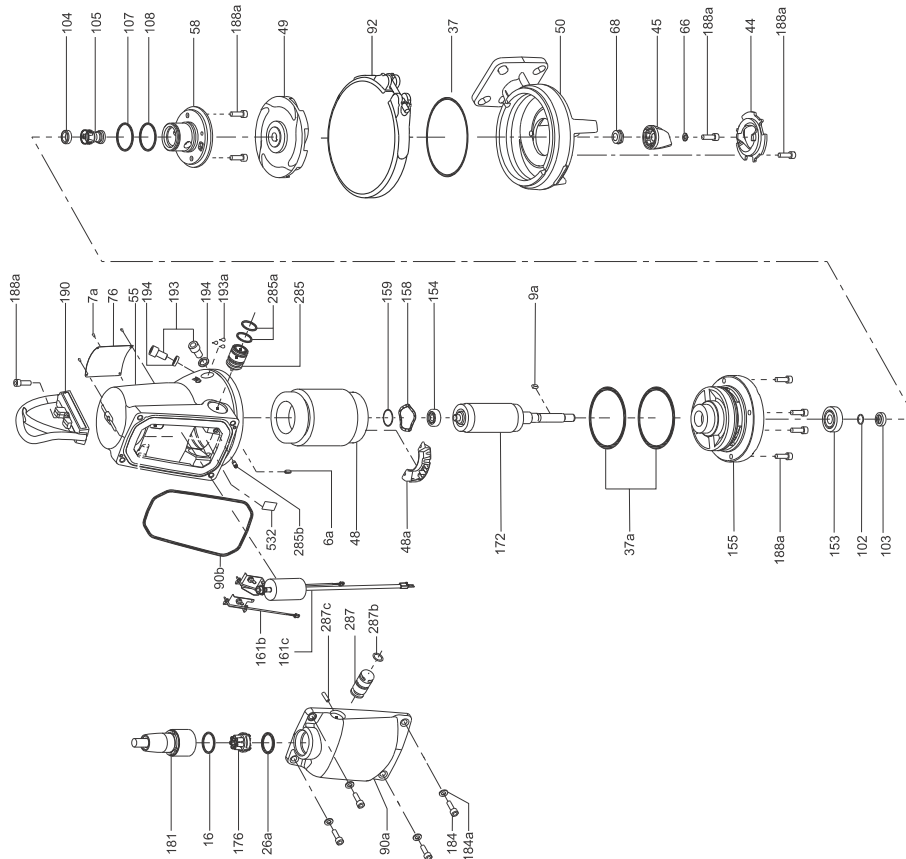
Upper guide rail holder (UGRH)

Pos.	Description/Kit No	96829356
-	Upper guide rail holder 3/4"	1

2.6 - 4.0 kW



0.9 - 1.5 kW



TM06 5770 4717

TM06 5750 4717

Shaft seal

Pos.	Description	Type Rubber type Kit No	0.9 - 1.5 kW		2.6 - 4.0 kW	
			BQQP	BQQV	BQQP	BQQV
			96076122	96645160	96076123	96645275
9a	Key		1	1	1	1
37	O-ring	164.5 x 3.0	1	1	-	-
		204.0 x 3.0	-	-	1	1
58	Shaft seal retainer		1	1	-	-
66	Lock washer		1	1	1	1
102	O-ring	16.0 x 1.5	1	1	-	-
		17.3 x 2.4	-	-	1	1
103	Bush for seal ring		1	1	-	-
104	Seal ring		1	1	-	-
105b	Shaft seal		1	1	1	1
107	O-ring	47.0 x 3.0	1	1	-	-
		90.0 x 4.0	-	-	1	1
108	O-ring	50.0 x 3.0	-	1	-	-
112a	Retaining ring		-	-	1	1
188a	Screw		1	1	1	1
194	Seal washer		2	2	2	1
198	Bush for shaft seal		1	1	-	-

Clamp

Pos.	Description	Type Kit No	0.9 - 1.5 kW	2.6 - 4.0 kW
			96592050	96592054
92	Clamp complete		1	1

Dry-running sensor

Pos.	Description	Type Kit No	Standard	Ex
			96898083	96984131
90b	O-ring	180.0 x 4.0	1	1
285	Dry-running sensor		2	2
285a	O-ring	29.7 x 2.95	2	2
287c	Set screw		1	1

Grinder

Pos.	Type Description/Kit No	SEG.40		SEG.50
		Standard	Heavy duty	High-flow
		96076121	96903344	98453210
44	Grinder ring	1	1	1
45	Grinder head	1	1	1
66	Lock washer	1	1	1
188a	Screw	1	1	1

Guide claw

Pos.	Description	Type Rubber type Kit No	DN 40	
			NBR	FKM
			96592055	96659162
-	Rubber seal		1	1
-	Guide claw		1	1

Level sensor

Pos.	Description	Type Kit No	Standard	Ex
			96898082	96984130
90b	O-ring	180.0 x 4.0	1	1
287	Level sensor		1	1
287a	Protection plate		1	1
287b	O-ring	20.2 x 3.0	1	1
287c	Set screw		1	1

Lifting bracket

Pos.	Description	Type Kit No	0.9 - 1.5 kW	2.6 - 4.0 kW
			96984147	96984148
188a	Screw		1	2
190	Lifting bracket		1	1

Bearing

Pos.	Description	Type Kit No	0.9 - 1.5 kW	2.6 - 4.0 kW
			98682341	96690710
153	Bearing (lower)		1	1
154	Bearing (upper)		1	1

Connector plug (inner)

Pos.	Description/Kit No	96984144
16	O-ring	34.2 x 3.0 1
26a	O-ring	32.0 x 4.0 1
90b	O-ring	180.0 x 4.0 1
176	Connector (inner plug part)	1

Run capacitor

Pos.	Description	Type Kit No	Standard 1-phase and Ex
			0.9 - 1.2 kW 96898084
90b	O-ring	180.0 x 4.0	1
161c	Run capacitor and Pt1000 sensor with bracket		1

SmartSeal (for guide claw)

Pos.	Description	Type Rubber type Kit No	DN 40	
			NBR	FKM
			96592036	96659159
-	SmartSeal		1	1

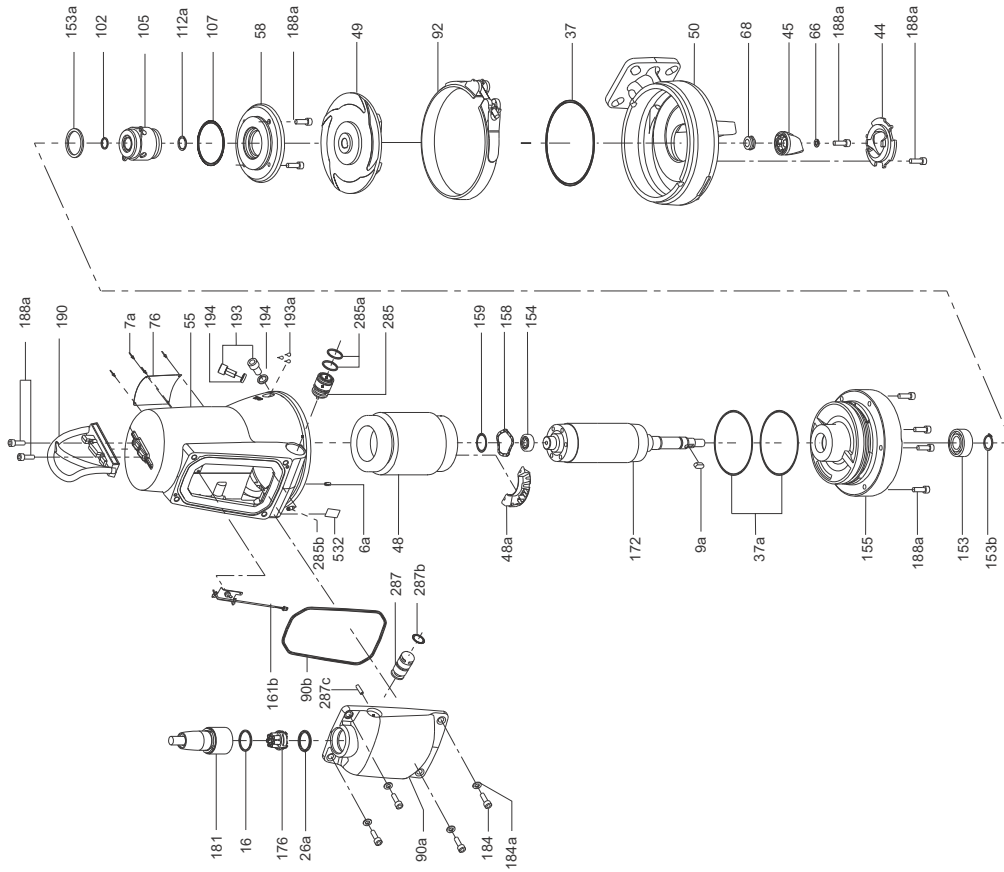
Shaft seal carrier

Pos.	Description/Kit No	SEG.50
58	Shaft seal carrier	99346051 1

Shaft with rotor

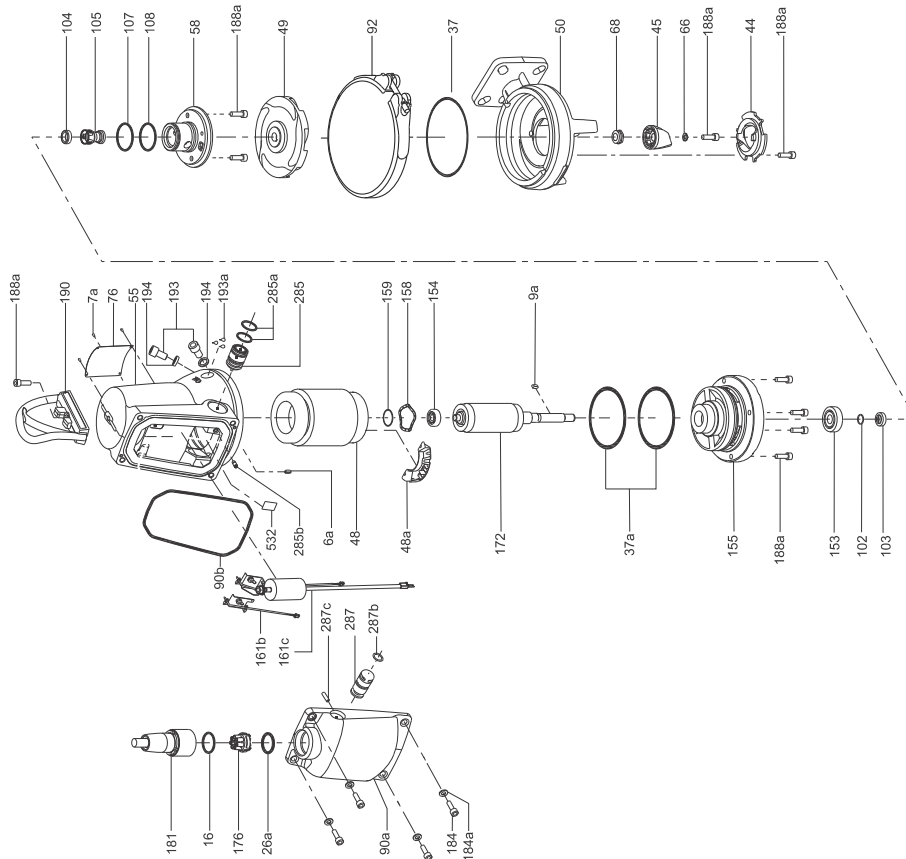
Pos.	Description	Type Kit No	SEG.50	
			2.6 kW	3.1 - 4.0 kW
			99346054	99346058
-	Shaft with rotor		1	1

2.6 - 4.0 kW



TM06 5770 4717

0.9 - 1.5 kW



TM06 5750 4717