

14. CR Air-cooled top

50/60 Hz

CR, CRI, CRN 1, 3, 5

Connecting pipe

Pos.	Description/ kit No	96578704	
149	109a O-ring	EPDM	1
		FXM	1
	109b O-ring	FKM	1
	- Connection pipe	-	1

O-ring

Pos.	Description/ kit No	FFKM	FXM
		96533328	96463944
37a	O-ring	2	2
38	O-ring	1	1
100	O-ring	2	2
109a	O-ring	1	-
	O-ring	-	1

Sealing

Pos.	Description/ kit No	96533329	
37a	O-ring	FXM	2
37b	O-ring	EPDM	1
38	O-ring	FXM	1
100	O-ring	EPDM	2
100a	O-ring	EPDM	2
		FXM	2
109a	O-ring	FKM	1
109b	O-ring	EPDM	1

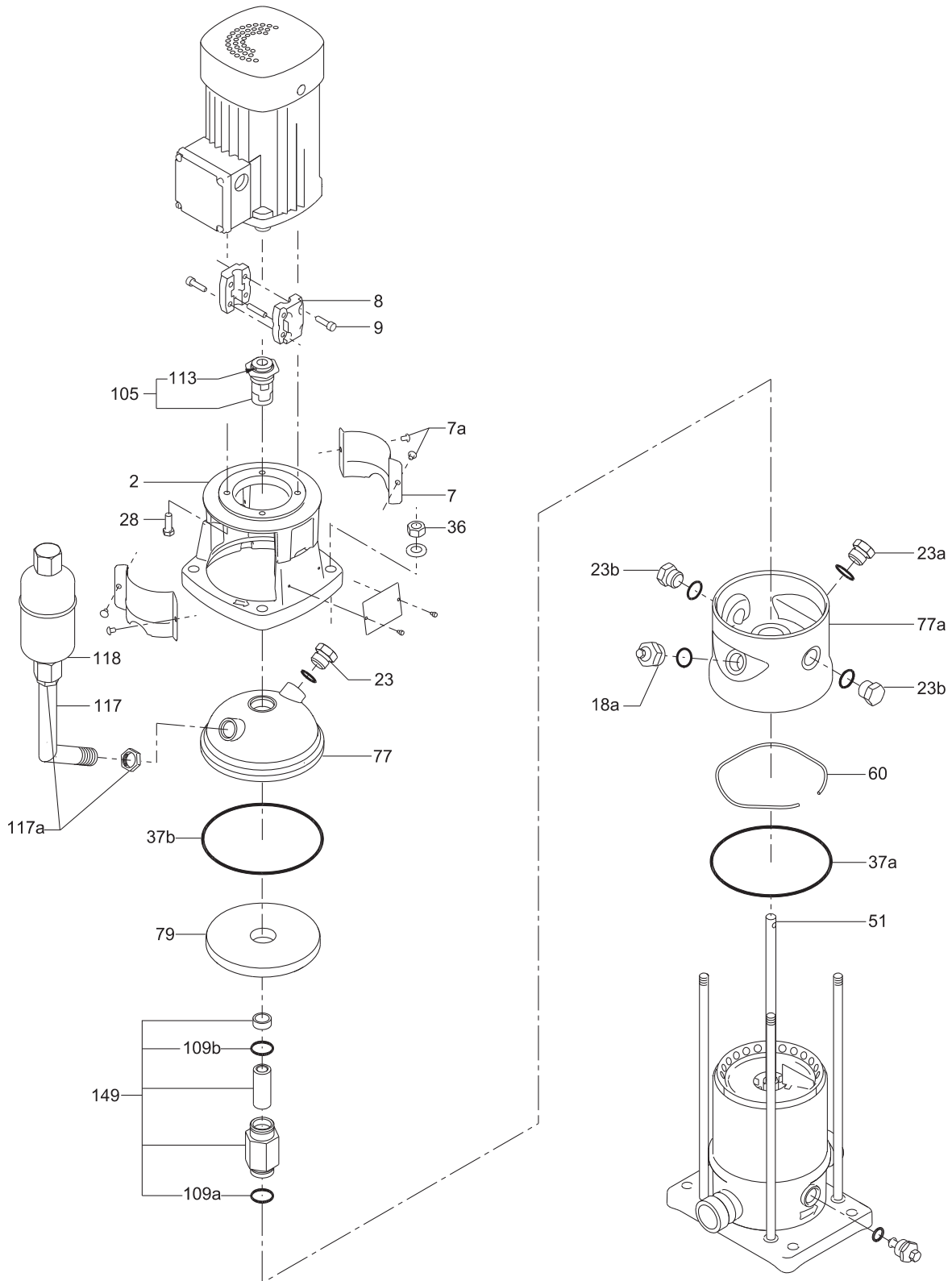
Shaft seal

Type	Kit No
HUBK	96533322
HUBF	96533323
HUUK	96533324
HUUF	96533325
HQQK	96533326
HQQF	96533327
HQBK	96491375

Content

Pos.	Description	Quantity
105	Shaft seal	1

CR, CRI, CRN 1, 3, 5, air-cooled top



CR, CRI, CRN 1, 3, 5 CR Air-cooled top

TM02 1518 1301

CR, CRI, CRN 10, 15, 20

O-ring

Pos.	Description Kit No	FFKM	FXM
		96533374	96534871
37a	O-ring	2	2
38	O-ring	1	1
38a	O-ring	1	1
100	O-ring	2	2

O-ring

Rubber type	Kit No
EPDM	96525419
FKM	96525431
FXM/EPDM	96525432

Content

Pos.	Description	Quantity
37a	O-ring	2
37b	O-ring	1
37c	O-ring	1
38	O-ring	1
38a	O-ring	1
39	Gasket	
	oval flange CR 10	2
	FGJ flange CR 10	2
	FGJ flange CR 15, 20	2
60	Rubber spring	4
60a	Rubber spring	4
100	O-ring	1
100a	O-ring	2
109a	O-ring	1

Shaft seal

Type	Kit No
HQQE	96511844
HQQV	96511845
HQQK	96511846
HQQF	96511847
HUBK	96511838
HUUUV	96511841
HUUK	96511842
HUUF	96511843

Content

Pos.	Description	Quantity
105	Shaft seal	1
-	Adjusting fork	1

Wear parts CRI, CRN 10

Pos.	Number of stages Description/ kit No	1-8	9-14	16-22
		96927653	96927678	96927679
(4a)	Intermediate chamber cpl. w/ bearing	1	2	3
(26b)	Set screw	2	2	2
(26c)	Washer	2	2	2
(45)	Neck ring	7	12	19
(47a)	Bearing ring	1	2	3
(61)	Seal driver	1	1	1
(62)	Stop ring	1	1	1
(64a)	Spacer bush	1	2	3
(64d)	Spacer bush	1	2	3
(64c)	Spacer, lower	1	1	1
(65)	Upper seal ring	-	-	19
(66)	Lock washer	1	1	1
(67)	Lock nut	1	1	1

Wear parts CRI, CRN 10, Low NPSH

Pos.	Number of stages Description/ kit No	2-7	8-15	16-21
		96931050	96931051	96931082
(4a)	Intermediate chamber cpl. w/ bearing	1	2	3
(26b)	Set screw	2	2	2
(26c)	Washer	2	2	2
(45)	Neck ring	6	14	18
(47a)	Bearing ring	1	2	3
(61)	Seal driver	1	1	1
(62)	Stop ring	1	1	1
(64a)	Spacer bush	1	2	3
(64d)	Spacer bush	1	2	3
(64b)	Spacing bush	1	1	1
(49c)	Impeller wear ring	1	1	1
(64c)	Spacer, lower	1	1	1
(65)	Upper seal ring	6	14	18
(66)	Lock washer	1	1	1
(67)	Lock nut	1	1	1

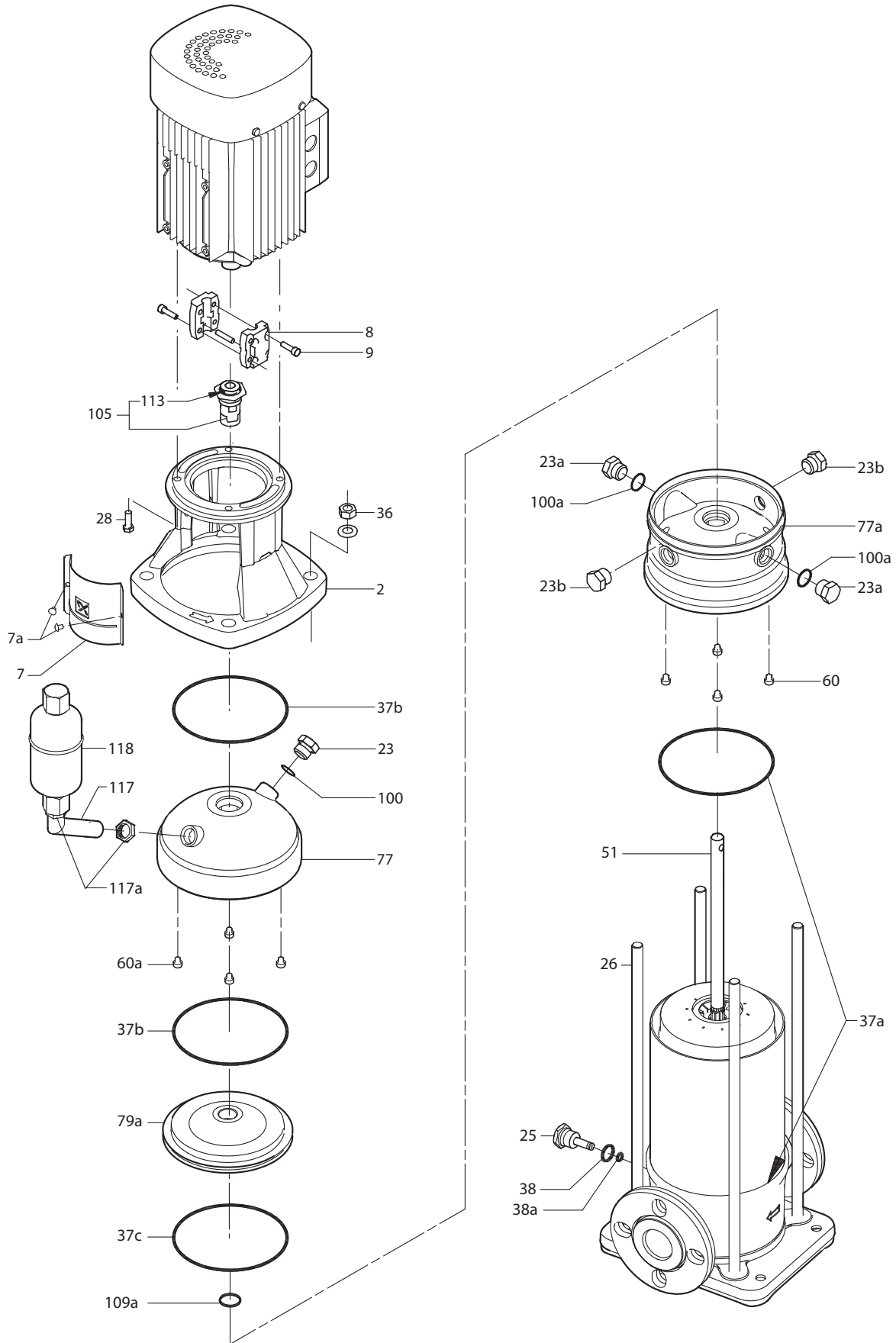
Wear parts CRI, CRN 15, 20

Pos.	Number of stages Description/ kit No	1	2-6	7-10	12-17
		96928334	96928375	96928377	96928380
(4a)	Intermediate chamber cpl. w/ bearing	1	1	2	3
(26b)	Set screw	2	2	2	2
(26c)	Washer	2	2	2	2
(45)	Neck ring	1	5	8	14
(47a)	Bearing ring	1	1	2	3
(49c)	Impeller wear ring	1	6	10	17
(61)	Seal driver	1	1	1	1
(62)	Stop ring	1	1	1	1
(64a)	Spacing bush	-	-	2	3
	Spacing bush	1	-	-	-
(64b)	Spacing bush	1	1	1	1
(64c)	Spacer, lower	1	1	1	1
(64d)	Spacing bush	1	1	2	3
(65)	Upper seal ring	1	5	8	14
(66)	Lock washer	1	1	1	1
(67)	Lock nut	1	1	1	1

Wear parts CRI, CRN 15, 20, Low NPSH

Pos.	Number of stages Description/ kit No	2-6	7-10	12-17
		96928443	96928448	96928449
(4a)	Intermediate chamber cpl. w/ bearing	1	2	3
(26b)	Set screw	2	2	2
(26c)	Washer	2	2	2
(45)	Neck ring	4	7	13
	Seal ring	1	1	1
(47a)	Bearing ring	1	2	3
(49c)	Wear ring N	1	1	1
	Impeller wear ring	5	9	16
(61)	Seal driver	1	1	1
(62)	Stop ring	1	1	1
(64a)	Spacing bush	1	2	3
(64b)	Spacing bush	1	1	1
	Spacing bush	1	1	1
(64c)	Spacer, lower	1	1	1
(64d)	Spacing bush	-	-	2
(65)	Upper seal ring	4	7	13
	Top for neck ring	1	1	1
(66)	Lock washer	1	1	1
(67)	Lock nut	1	1	1

CR, CRI, CRN 10, 15, 20, air-cooled top



TM02 7813 1107

CR, CRI, CRN 32, 45, 64, 90**Connecting pipe**

Pos.	Description	Rubber	EPDM/FKM	FXM
		Kit No	96578685	96578686
109a, 109b	O-ring	FXM	-	2
		EPDM	2	-
		FKM	2	-
149	Connecting pipe		1	1

O-ring, CR(N) 32

Pos	Kit No Description	96578670 96578671 96578672			
		Rubber	EPDM	FKM	FXM
37	O-ring	EPDM	2	-	-
		FKM	-	2	-
		FXM	-	-	2
37b	O-ring	EPDM	-	-	-
		FKM	2	-	2
38	O-ring	EPDM	1	-	-
		FKM	-	1	-
		FXM	-	-	1
60	Spring	EPDM	4	-	-
		FKM	-	4	-
		PTFE	-	-	4
100	O-ring	EPDM	2	-	1
		FKM	-	2	-
100a	O-ring	EPDM	4	-	-
		FKM	-	4	-
		FXM	-	-	4
109	O-ring	EPDM	1	-	1
		FKM	-	1	-
		FXM	-	-	2
109a	O-ring	EPDM	1	-	-
		FKM	-	1	-
109b	O-ring	EPDM	1	-	-
		FKM	-	1	-
110	O-ring	EPDM	1	-	1
		FKM	-	1	-
-	Adjusting fork		1	1	1

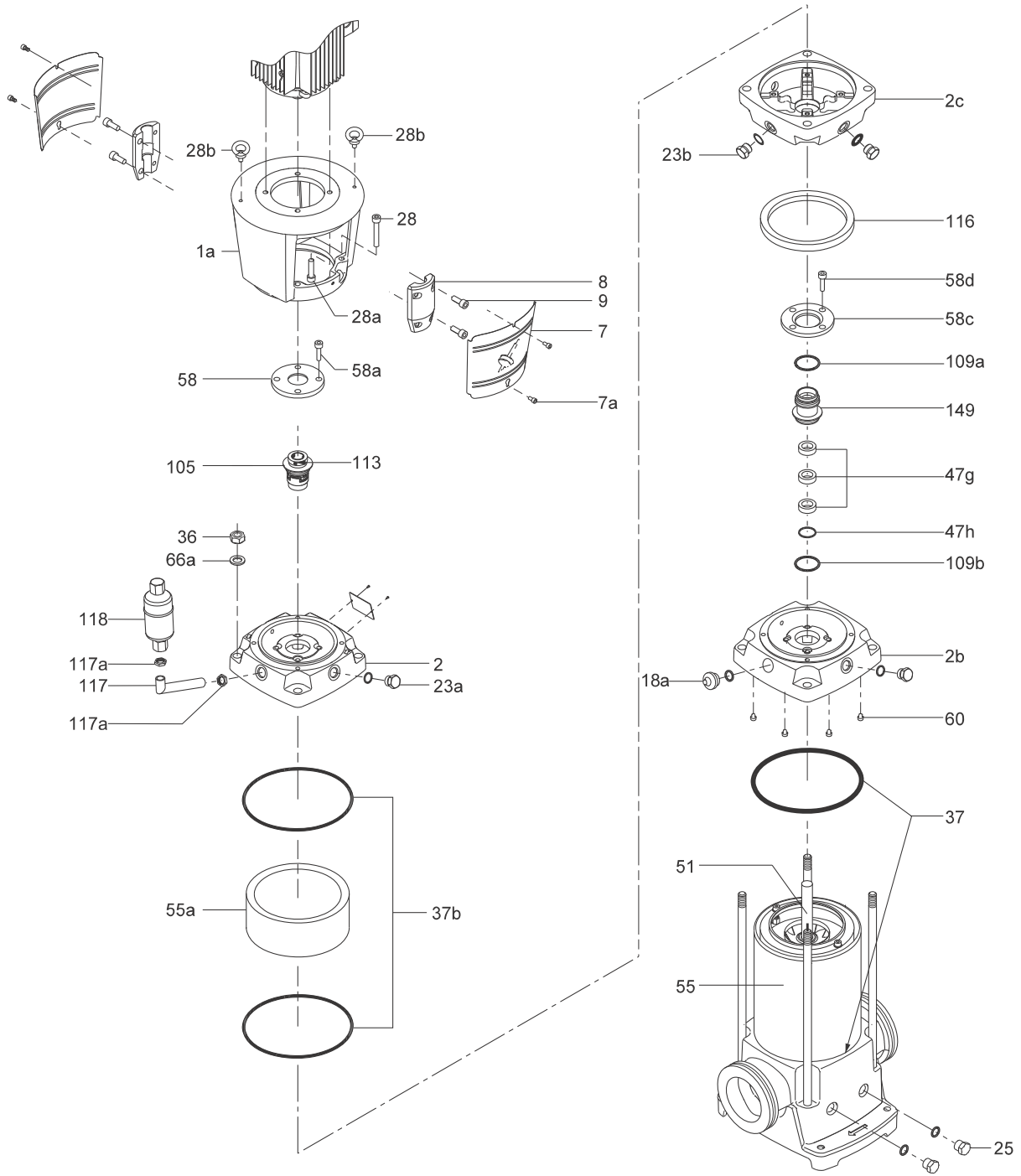
O-ring, CR(N) 45/64

Pos	Kit No Description	96578673 96578674 96578675			
		Rubber	EPDM	FKM	FXM
37	O-ring	EPDM	2	-	-
		FKM	-	2	-
		FXM	-	-	2
37b	O-ring	EPDM	-	-	-
		FKM	2	-	2
38	O-ring	EPDM	1	-	-
		FKM	-	1	-
		FXM	-	-	1
60	Spring	EPDM	4	-	-
		FKM	-	4	-
		PTFE	-	-	4
100	O-ring	EPDM	2	-	1
		FKM	-	2	-
100a	O-ring	EPDM	4	-	-
		FKM	-	4	-
		FXM	-	-	4
109	O-ring	EPDM	1	-	1
		FKM	-	1	-
		FXM	-	-	2
109a	O-ring	EPDM	1	-	-
		FKM	-	1	-
109b	O-ring	EPDM	1	-	-
		FKM	-	1	-
110	O-ring	EPDM	1	-	1
		FKM	-	1	-
-	Adjusting fork		1	1	1

O-ring, CR(N) 90

Pos	Kit No Description	96578676 96578677 96578678			
		Rubber	EPDM	FKM	FXM
37	O-ring	EPDM	2	-	-
		FKM	-	2	-
		FXM	-	-	2
37b	O-ring	EPDM	-	-	-
		FKM	2	-	2
38	O-ring	EPDM	1	-	-
		FKM	-	1	-
		FXM	-	-	1
60	Spring	EPDM	4	-	-
		FKM	-	4	-
		PTFE	-	-	4
100	O-ring	EPDM	2	-	1
		FKM	-	2	-
100a	O-ring	EPDM	4	-	-
		FKM	-	4	-
		FXM	-	-	4
109	O-ring	EPDM	1	-	1
		FKM	-	1	-
		FXM	-	-	2
109a	O-ring	EPDM	1	-	-
		FKM	-	1	-
109b	O-ring	EPDM	1	-	-
		FKM	-	1	-
110	O-ring	EPDM	1	-	1
		FKM	-	1	-
-	Adjusting fork		1	1	1

CR, CRI, CRN 32, 45, 64, 90, air-cooled top



TM05 8189 2013

CR, CRI, CRN 32, 45, 64, 90, model B**Air vent**

Kit	Vertical	Horizontal
Air vent	98593444	98593449

Content

Pos.	Description	Quantity
	Air vent	1
	Nut	2
	Pipe	1

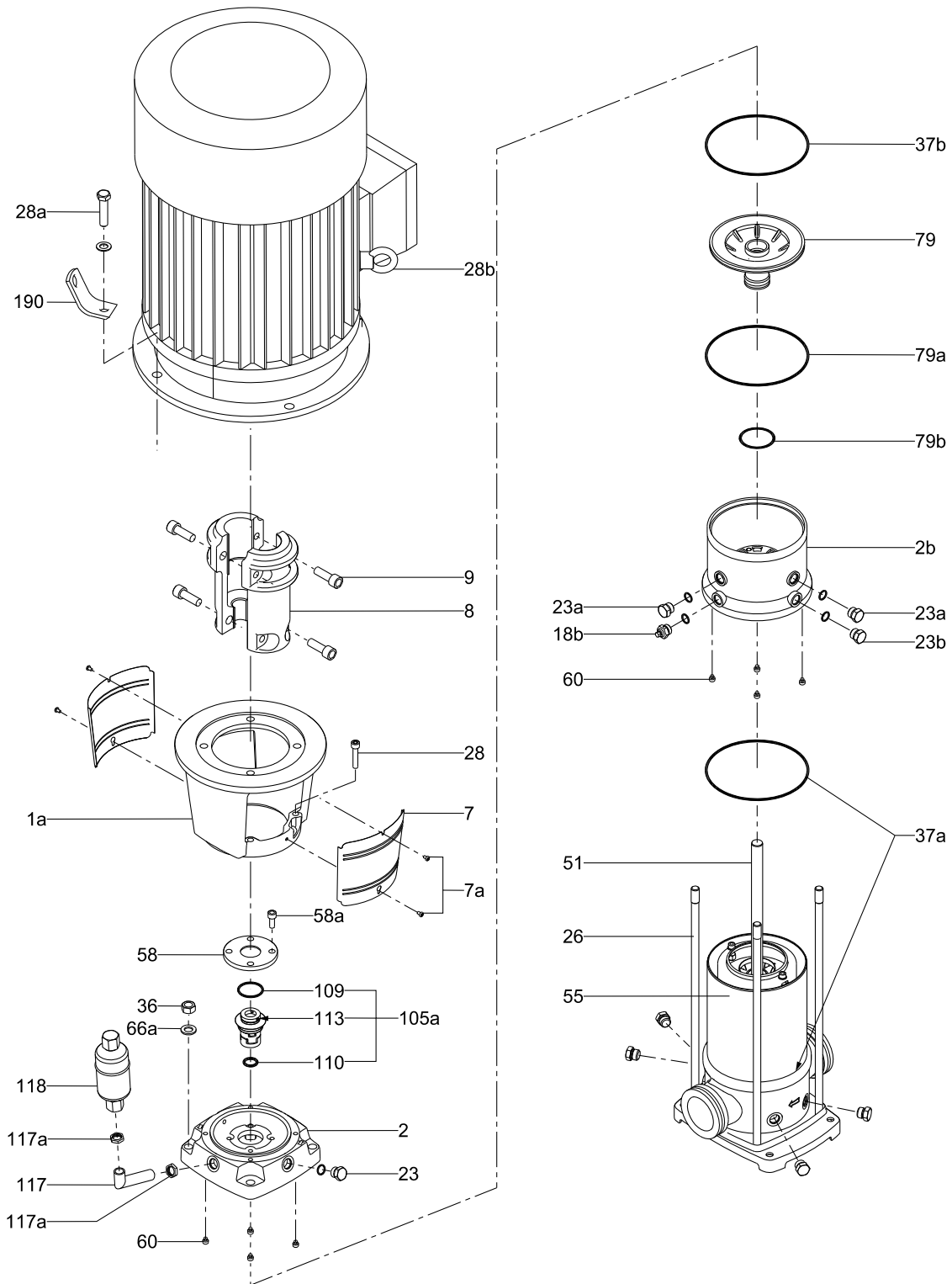
O-ring, CR(N) 32

Pos	Kit No		98593477	98593480	98593491	98593493	98593494
	Description	Rubber	EPDM	FKM	FXM	FXM/EPDM	FXM/FKM
O-ring		EPDM	1			1	
		FKM		1			1
		FXM			1		
O-ring		EPDM	1			1	
		FKM		1			1
		FXM			1		
O-ring		EPDM	1		1	1	
		FKM		1			1
		FXM					
O-ring		EPDM	1				
		FKM		1			
		FXM			1	1	1
O-ring		EPDM	2				
		FKM		2			
		FXM			2	2	2
O-ring		EPDM	2				
		FKM		2			
		FXM			2	2	2
O-ring		EPDM	4				
		FKM		4			
		FXM			4	4	4
Spring		PTFE	8	8	8	8	8
Adjusting fork			1	1	1	1	1

O-ring, CR(N) 45/64

Pos	Kit No		98593495	98593496	98593499	98593512	98593513
	Description	Rubber	EPDM	FKM	FXM	FXM/EPDM	FXM/FKM
O-ring		EPDM	1			1	
		FKM		1			1
		FXM			1		
O-ring		EPDM	1			1	
		FKM		1			1
		FXM			1		
O-ring		EPDM	1		1	1	
		FKM		1			1
		FXM					
O-ring		EPDM	1				
		FKM		1			
		FXM			1	1	1
O-ring		EPDM	2				
		FKM		2			
		FXM			2	2	2
O-ring		EPDM	2				
		FKM		2			
		FXM			2	2	2
O-ring		EPDM	4				
		FKM		4			
		FXM			4	4	4
Spring		PTFE	8	8	8	8	8
Adjusting fork			1	1	1	1	1

CR, CRI, CRN 32, 45, 64, 90, model B



CR, CRI, CRN 32, 45, 64, 90, model B CR Air-cooled top

TM05 9664 4313

CR, CRI, CRN 32, 45, 64, 90, model B

O-ring, CR(N) 90

Pos	Kit No	Rubber	98593514	98593516	98593517	98593519	98593541
			EPDM	FKM	FXM	FXM/EPDM	FXM/FKM
O-ring		EPDM	1			1	
		FKM		1			1
		FXM			1		
O-ring		EPDM	1			1	
		FKM		1			1
		FXM			1		
O-ring		EPDM	1		1	1	
		FKM		1			1
		FXM					
O-ring		EPDM	1				
		FKM		1			
		FXM			1	1	1
O-ring		EPDM	2				
		FKM		2			
		FXM			2	2	2
O-ring		EPDM	2				
		FKM		2			
		FXM			2	2	2
O-ring		EPDM	4				
		FKM		4			
		FXM			4	4	4
Spring		PTFE	8	8	8	8	8
Adjusting fork			1	1	1	1	1

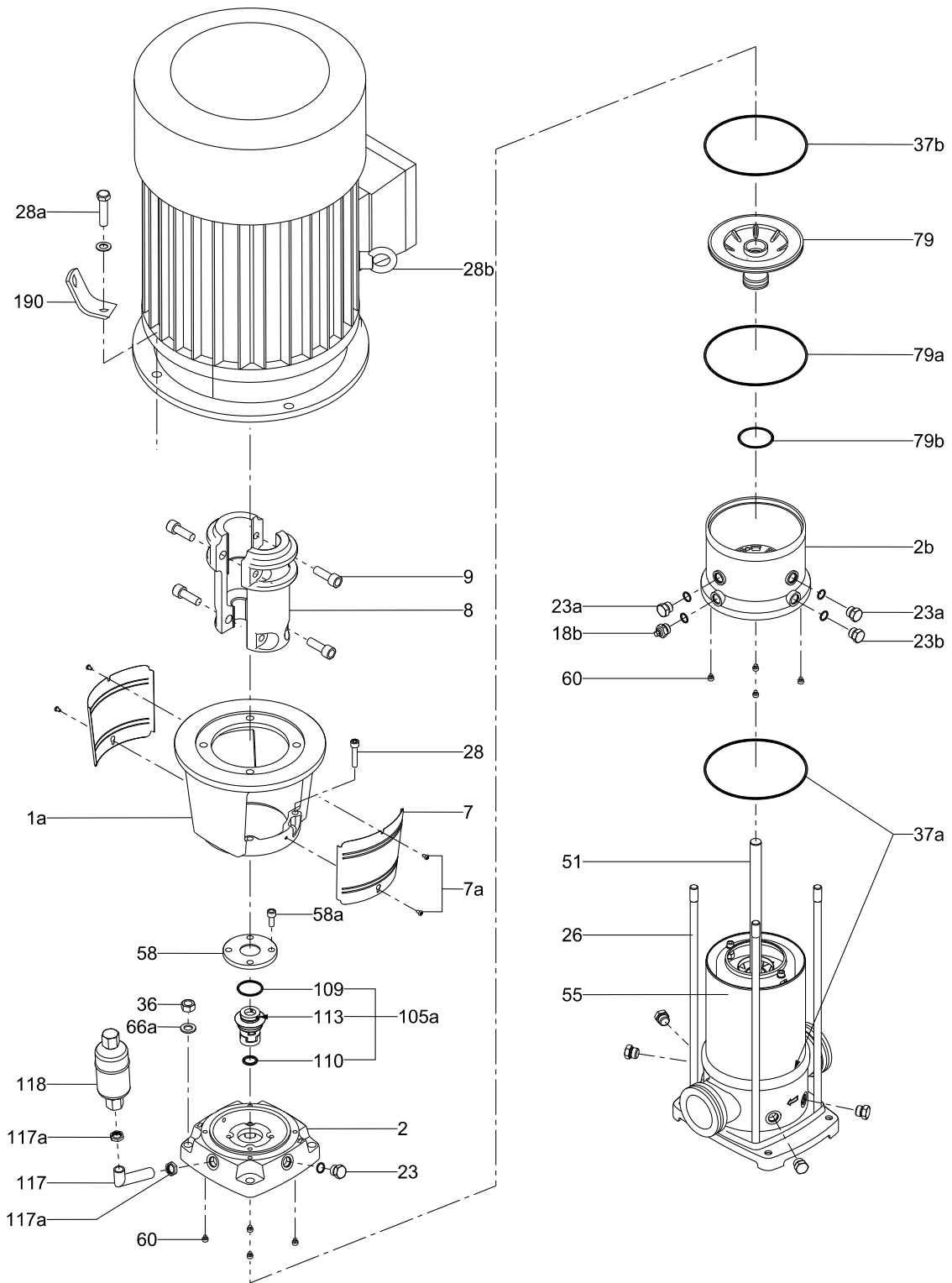
Plug

Pos	Description/ Kit No	98593644
	Plug	2
	Air vent screw	1
	Plug	1
	O-ring	4
	O-ring	4
	O-ring	4

Cover

Pos	Description/ Kit No	98593648
	Cover N	1
	Cap Screw	4

CR, CRI, CRN 32, 45, 64, 90, model B



CR, CRI, CRN 32, 45, 64, 90, model B CR Air-cooled top

TM05 9664 4313